

AutoCAD® Self-paced Learning Modules

# AutoCAD 2D

## Module 6

### Competency Test No.1

#### Learning Outcomes:

When you have completed this module, you will be able to:

1. Within a one hour time limit, complete a written exam and a lab exercise without the aid of a key.

#### Competency Tests

The AutoCAD Self-paced Learning Modules are written as competency based modules. What that means to you as a student is that you have not completed each module until you have mastered it. To master a module, you must prove that you understand the material contained in it and within a specified time limit, have completed the lab exercises with 100% accuracy.

A Competency Test module contains multiple choice questions and a comprehensive lab exercise to test your mastery of the set of modules that you just completed. There are no answers supplied with a Competency Test module since it is meant to be checked by your instructor. If there are any parts of this module that you have trouble completing, go back and reread the module or modules containing the information that you are having trouble with. If necessary, redo as many lab exercises required until you understand the material.

#### Students Attending this Course in a Classroom Setting

If you are a student completing this course in a classroom setting, your instructor will give you instructions on what to do after you complete this module.

#### Students Completing this Course by Correspondence or Distance Education

Complete the following steps:

- Step 1** Answer the 10 multiple choice questions on pages 6-2 to 6-3. Record the answers.
- Step 2** Complete Lab Exercise 6-1 on page 6-4.
- Step 3** Login into the website [www.cadinstructors.com](http://www.cadinstructors.com) with your name and ID number. In the website, write the online written test for Module 6 - Competency Test No. 1. It has the same 10 questions that you answered in Step 1.
- Step 4** Attach and submit the file AutoCAD 2D Lab 06-1.dwg when you write the online test by following the prompts.
- Step 5** If you have any problems completing Steps 1 to 4, ask your instructor for help.
- Step 6** Go on to Module 7.

**AutoCAD 2D**  
**Competency Test No. 1**  
**Open Book**

**Part A** **Multiple Choice Questions**

Select the **BEST** answer.

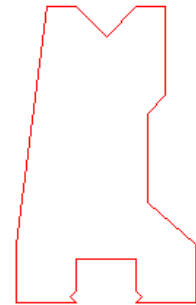
- 1** What two keyboard keys, when pressed, execute a command or accept an AutoCAD default?
  - A) Esc and Space Bar
  - B) Enter and Esc
  - C) Enter and Space Bar
  - D) F2 and Enter
  - E) Space Bar and F6
  
- 2** To AutoCAD, what does the @ symbol mean?
  - A) A default
  - B) An option
  - C) Abort
  - D) execute
  - E) The last absolute coordinate
  
- 3** What keyboard key opens and closes the Text window?
  - A) F1
  - B) F2
  - C) F3
  - D) F4
  - E) F6
  
- 4** What is the main purpose of the left mouse button?
  - A) To execute a command
  - B) The pick button
  - C) The abort button
  - D) Repeats the last command
  - E) The menu button
  
- 5** What is the name of AutoCAD's special layer that exists in all new drawings and cannot be deleted?.
  - A) 0 (zero)
  - B) Object
  - C) 2
  - D) Special
  - E) Layer 1

- 6** What keyboard key aborts an AutoCAD command?
- A) F2
  - B) Ctrl
  - C) Esc
  - D) F6
  - E) Shift
- 7** When a drawing object is inserted in a drawing, what layer will AutoCAD place it on?
- A) Layer 0 (zero)
  - B) The last layer used
  - C) The current layer
  - D) The object layer
  - E) The displayed layer
- 8** Which layer cannot be frozen?
- A) Layer 0 (zero)
  - B) The last layer used
  - C) Any layer that is currently displayed.
  - D) The object layer
  - E) The current layer
- 9** Which one of the following inputs the relative coordinate location X2Y4?
- A) 2,4
  - B) 4,2
  - C) <2,4>
  - D) @2,4
  - E) #2,4
- 10** What is the name of the file that contains the AutoCAD defaults and standards set by the creator?
- A) The template file
  - B) The object file
  - C) The backup file
  - D) The text file
  - E) The readme file

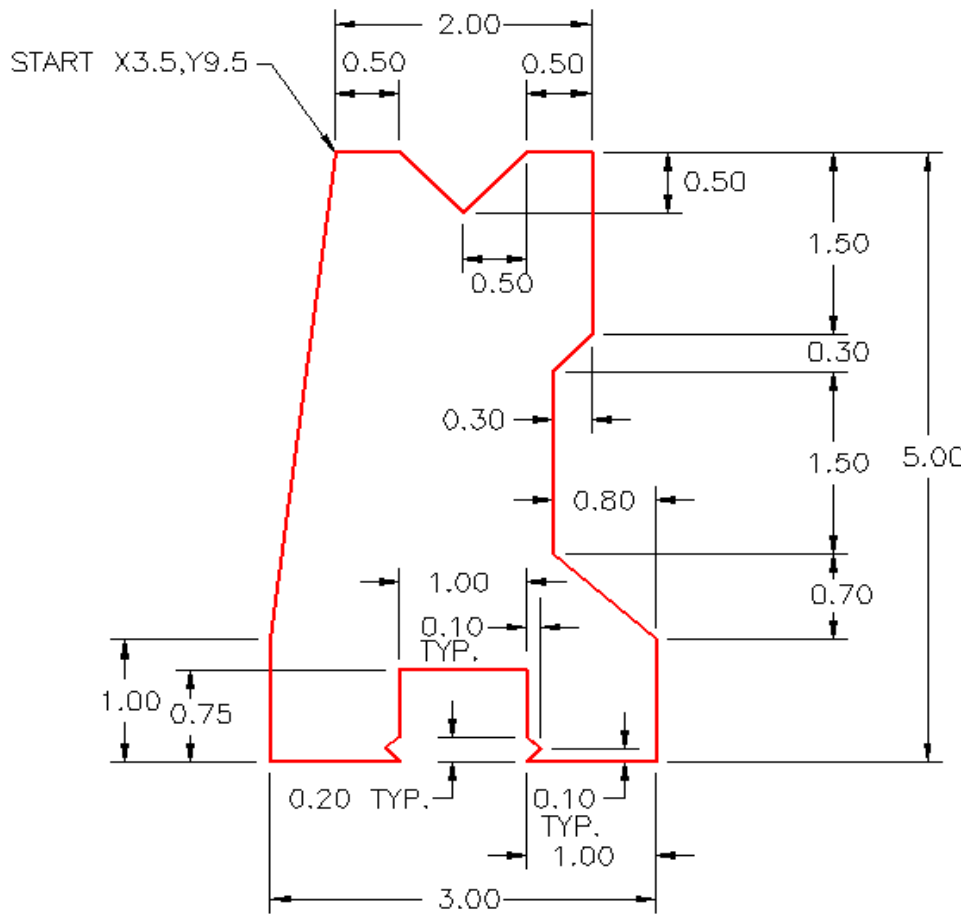
Lab Exercise 6-1		Part B	Open Book
Name	Template	Units	
AutoCAD 2D Lab 06-1	2D English	Inches	
Layering Scheme			
Name	Objects on Layer	Color	
Object	All lines	Red	

**Instructions:**

- Step 1** Start a new drawing using the template shown above.
- Step 2** Save and name the drawing AutoCAD 2D Lab 06-1 in the folder **CAD Courses/AutoCAD 2D/Lab Exercises**
- Step 3** Create the layer Object, color red, as shown in the Layering Scheme above.
- Step 4** Draw the object shown in the dimensioned drawing. All lines should be on layer Object and display red.
- Step 5** Save and close the drawing.



Completed Drawing



Dimensioned Drawing

**Author's Comments:** TYP means typical. This simply means that there is at least one other dimension that is the same. In this drawing, the opposite side of the slot on the bottom of the object is the same size as the dimensioned one.

**Author's Comments:** There is no key for this lab.